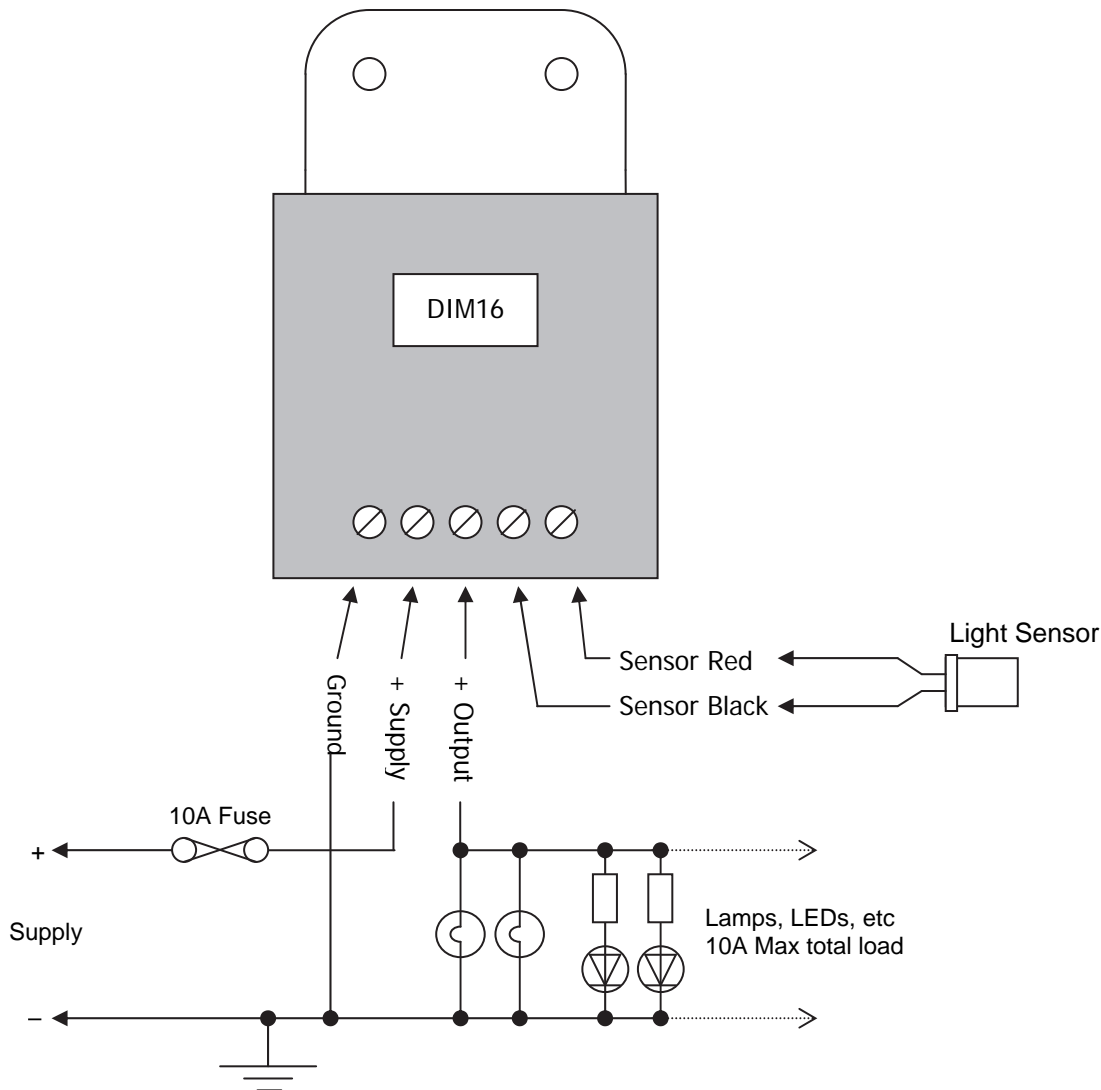


DIM16 Brief Spec Sheet



The DIM16 is a low voltage 12V or 24V PWM lamp and LED dimmer module controlled by ambient light level (or lux level). The unit is designed to be used with constant voltage PWM dimmable incandescent or LED loads rated at 10A or less.

The DIM16 is connected to a remote light sensor and adjusts its output according to the ambient light level. When the ambient light level is high, the lamp or LED connected to the DIM16 will increase in brightness. When the ambient light level is low, the DIM16 will decrease the brightness.

The DIM16 is designed for automatic backlighting applications in automotive, marine and industrial environments. The light sensor can be positioned such that it looks through an instrument panel or dash-board. When sunlight strikes the instrument panel, the DIM16 will increase the brightness of the panel backlighting to enable the instruments to be easily seen. Conversely, when the instrument panel is used in the dark, the DIM16 dims down the panel backlighting to a minimum level to prevent the panel backlighting causing glare and user disruption. In other words, the unit automatically maintains the optimum backlight brightness.

The unit has a factory-programmed minimum brightness level of approximately 8%. If the light sensor is exposed to complete darkness, the DIM16 will not allow the connected load go lower than this minimum level. This prevents instrument backlighting from being extinguished completely in complete darkness. The minimum brightness level can be changed during manufacture, please contact us for further information.

The DIM16 is programmed such that full brightness is obtained when the ambient light level is equivalent to a bright but slightly cloudy day, or brighter. The DIM16 will reach minimum brightness at an ambient light level equivalent to late twilight, or darker. The dimming curve and light sensitivity can be adjusted during manufacture to the user's requirements. Please contact us for further information.

The unit is supplied with a light sensor connected to approx 10cm of small-diameter cable. The light sensor is 5mm in diameter and completely sealed from the front. It is presented in a transparent water-clear package with a flat top. The light sensor can be mounted up to 5m away from the DIM16. The dimmer's response has been made slow to prevent intermittent shadows over the light sensor causing inappropriate brightness changes.